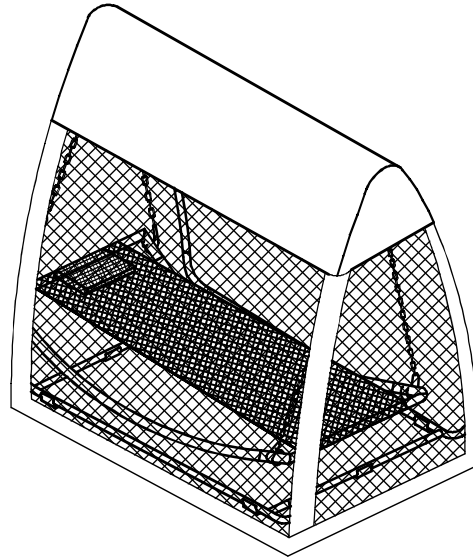
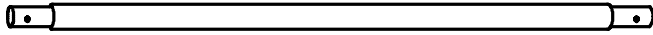
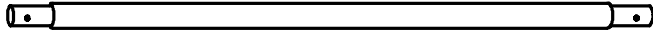

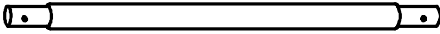



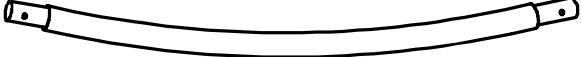
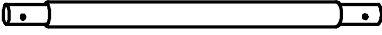

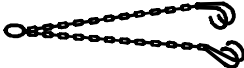







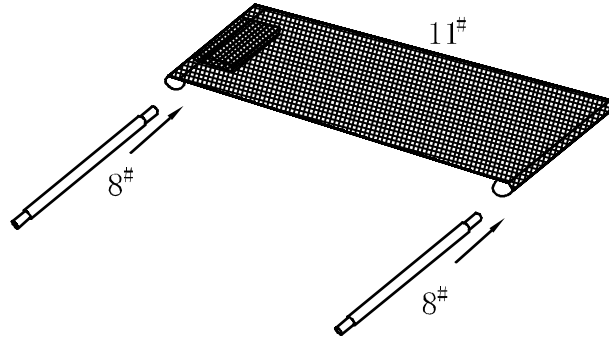
# HANGING HAMMOCK



Ref.	Illustration	Description	Qty
1		Ø42x1x2000	2
1A		Ø42x1.3x2000	1
2		Ø42x1.3x1900	4
3		Ø42x1x1212	2
4		Top Connector 3 way	2
5		Ground Connector 3 way(L)	2
6		Ground Connector 3 way(R)	2
7		Ø42x1.3x1920	2
8		Ø42x1.3x1020	2
9		Bed Connector	4
10		Chain	2
11		Textilene Fabric	1
12		Cover	1
13		Plastic Pad	6
14		Protective Sleeve	4
15		Mesh Screen	1

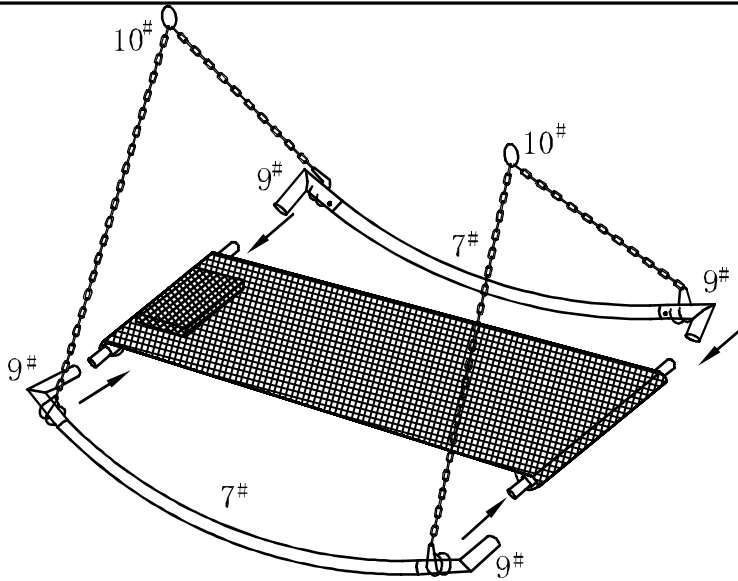


5



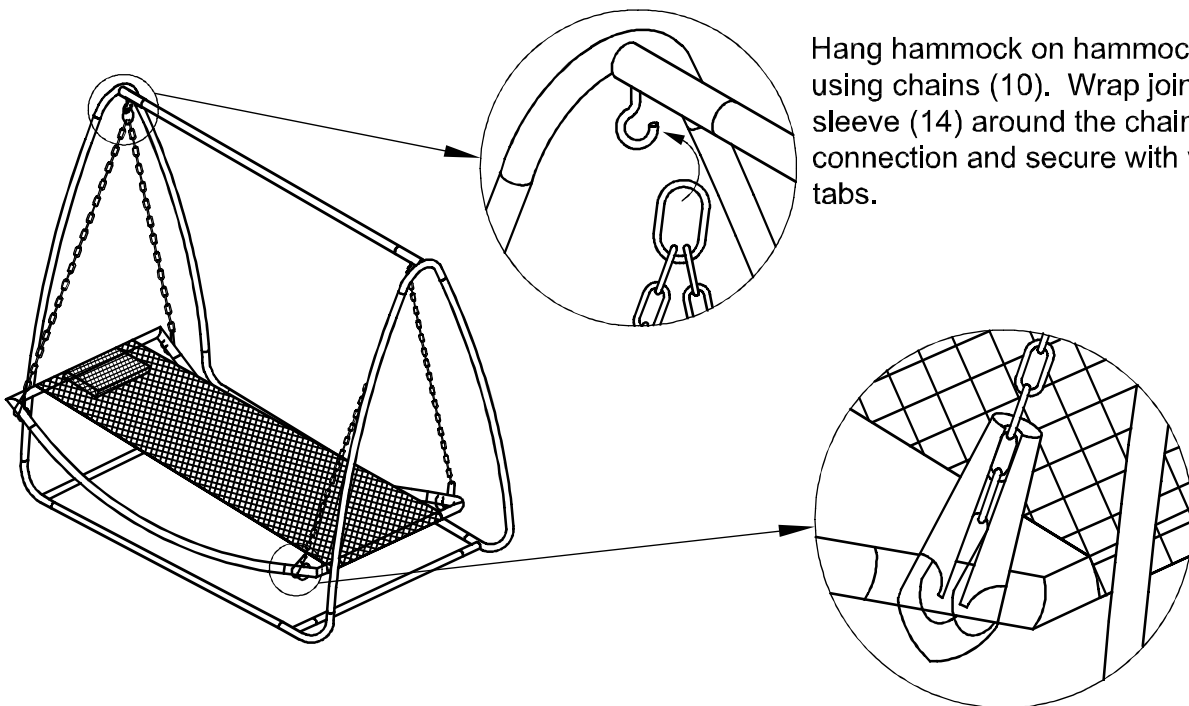
Slide poles (8) through  
textoline fabric (11).

6



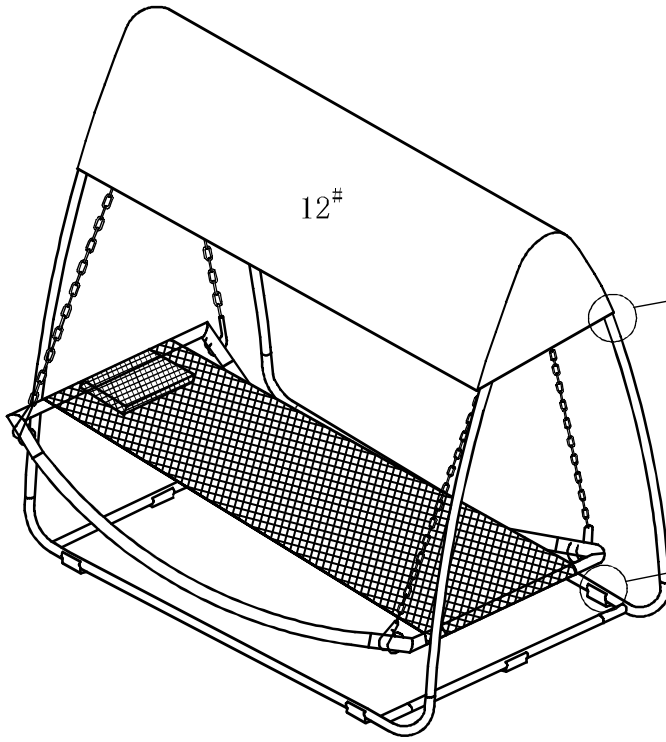
Attach curved poles (7) to to bed  
end connectors (9). Complete bed  
frame construction by attaching  
poles (8) to to bed end connectors  
(9). Attach chains (10) to bed end  
connectors (9).

7

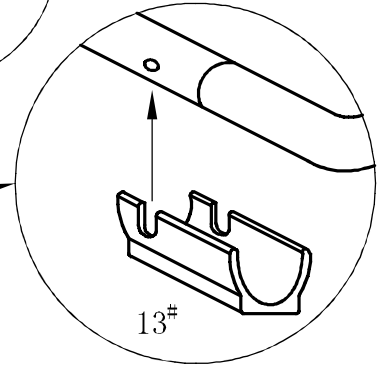
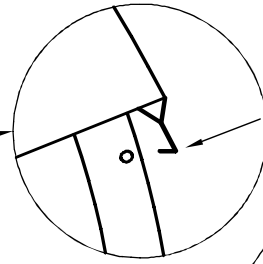


Hang hammock on hammock frame  
using chains (10). Wrap joint  
sleeve (14) around the chain/frame  
connection and secure with velcro  
tabs.

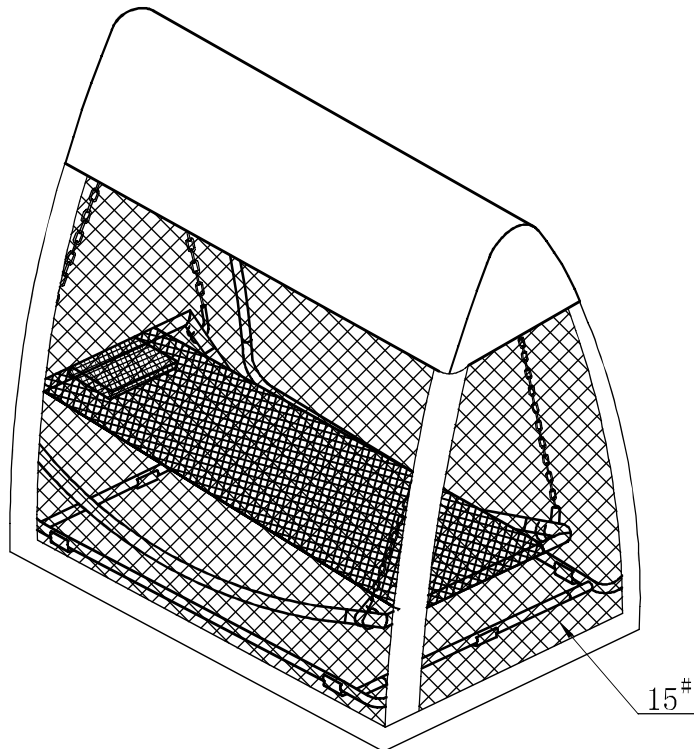
8



Complete the assembly by adding the cover (12) and the plastic pads (13) where indicated on the diagram.



9



Thanks for choosing Abba Patio products. We'd love to hear your thoughts, and so would other customers. If you are satisfied with our products and service, please let us know. If you have questions or feedback, we're here to help! [service@abbapatio.com](mailto:service@abbapatio.com). (We will reply to you within 24 business hours) Also be sure to follow us on Facebook for promotions and special offers.